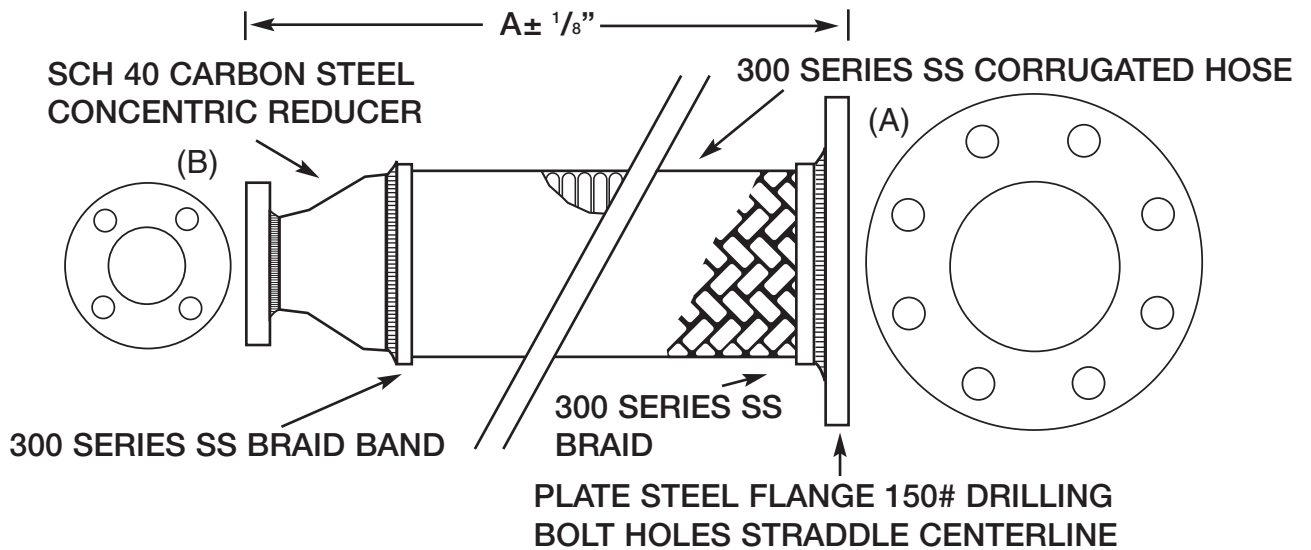


Patterson HVAC ACCESSORIES

2129 Ayersville Road • Toccoa, Georgia 30577 U.S.A. • Phone (706) 886-2101 • Fax: (706) 886-0023

PROJECT	
CUSTOMER	
ENGINEER	
REPRESENTATIVE	
DRAWING #	



Model No.	Fitting (A)	Fitting (B)	O.A.L.	Live Length	Max W.P. @ 70° F	Ship Wt.
B1210	12"	10"	22"	10"	125#	130#
B108	10"	8"	21"	10"	165#	92#
B106	10"	6"	20 3/4"	10"	165#	86#
B86	8"	6"	19 3/4"	10"	190#	66#
B85	8"	5"	19 3/4"	10"	190#	56#
B84	8"	4"	19 7/8"	10"	190#	50#
B65	6"	5"	19"	10"	200#	41#
B64	6"	4"	18 7/8"	10"	200#	36#
B63	6"	3"	18 7/8"	10"	200#	34#
B54	5"	4"	18 3/8"	10"	220#	30#
B53	5"	3"	18 3/8"	10"	220#	28#
B52	5"	2"	18 3/8"	10"	220#	26#
B43	4"	3"	17 1/4"	10"	260#	24#
B42 1/2	4"	2 1/2"	17 1/4"	10"	260#	22#
B42	4"	2"	17 1/4"	10"	260#	20#
B32 1/2	3"	2 1/2"	16 3/4"	10"	240#	10#
B32	3"	2"	16 3/4"	10"	240#	9#
B2 1/2 2	2 1/2"	2"	16 3/4"	10"	285#	9#

FLEXIDUCER - FLANGE X FLANGE

Mfg. by MFC for Patterson Pump Co.